

Features

- Integrated half-bridge gate driver
- Micropower start up
- Under Voltage Lock Out protection
- 1us Initial Dead-time Control
- Integrated Preheat Circuit
- Adjustable Frequency
- Adjustable Preheat Current
- Adjustable Preheat Time
- Integrated High Voltage Power MOSFET
- Integrated Bootstrap Diode

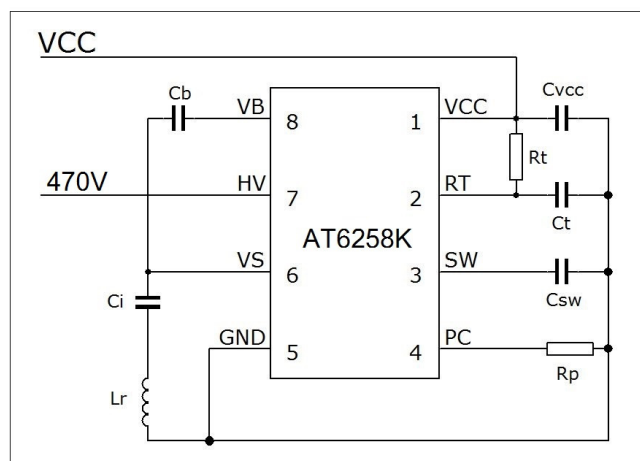
Application

- HID lamp ballast
- Compact Fluorescent Lamps (CFL)
- Cathode compact fluorescent lamp (CCFL)

Description

The AT6258K is a high voltage half-bridge gate drive IC (bootstrap diode embedded) with high-side MOSFET and low-side MOSFET built in. The AT6258K provides more functionality and is easier to use than AT6253. A preheat circuit has been designed into AT6258K, it can be control by a Capacitance through SW pin (C_{SW}). Adjustable current controlled preheat mode technology enables the preheat time (t_{PH}) and preheat current to be set. This mode is triggered during start up, Ignition time control minimizes electrode damage just after ignition of the lamp. The AT6258K built in half bridge gate driver Circuit and preheat Circuit, minimizes the external circuit.

Typical Application Circuit



Order Information

